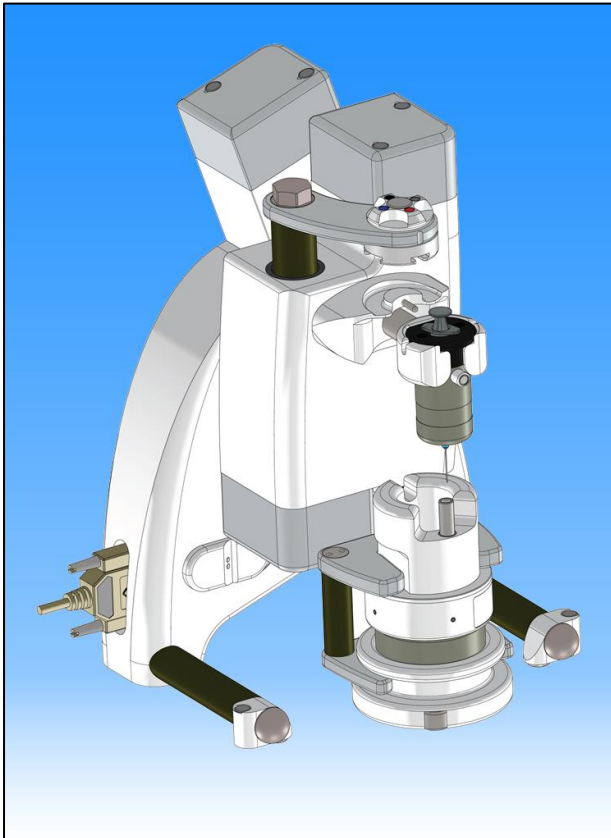


AMERCARE

PROTECTING YOUR PRODUCT AND ENVIRONMENT

Automated Dose Dispenser



The Amercare Automated Dose Dispenser has been developed to completely mimic the manual syringe filling process for dispensing radiopharmaceuticals in unit doses or in multi dose vials.

The ADD enables dispensing operations to be carried out in remote Hot Cell situations where manipulation of syringes and vials by tongs and manipulators is extremely difficult. It is also suitable for bench top applications, Laminar Air Flow Cabinet or Safety Cabinets.

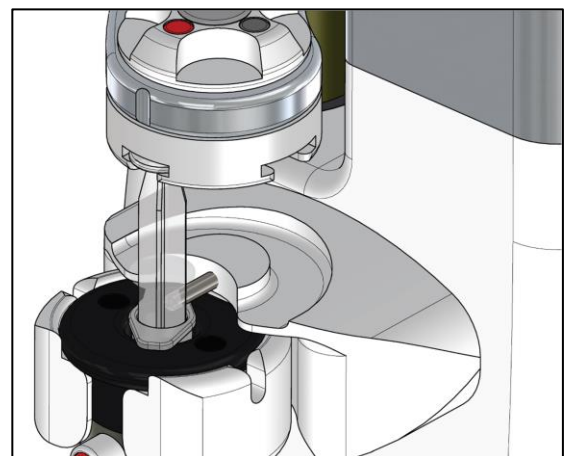
Simply dial up the type of syringe you want to fill and drop the syringe into the tungsten shield. Then enter the volume you want to fill and the ADD loads the syringe, fills the desired volume and presents the syringe to you for removal or recapping. You can add liquid to a previously filled syringe or dispense to vials in multiple aliquots, all with the minimum of manual handling. The ADD also makes recapping the syringe needle simple.

The total time to dispense a single dose from dropping in the syringe to removing the syringe ready capped is typically less than 45 seconds.

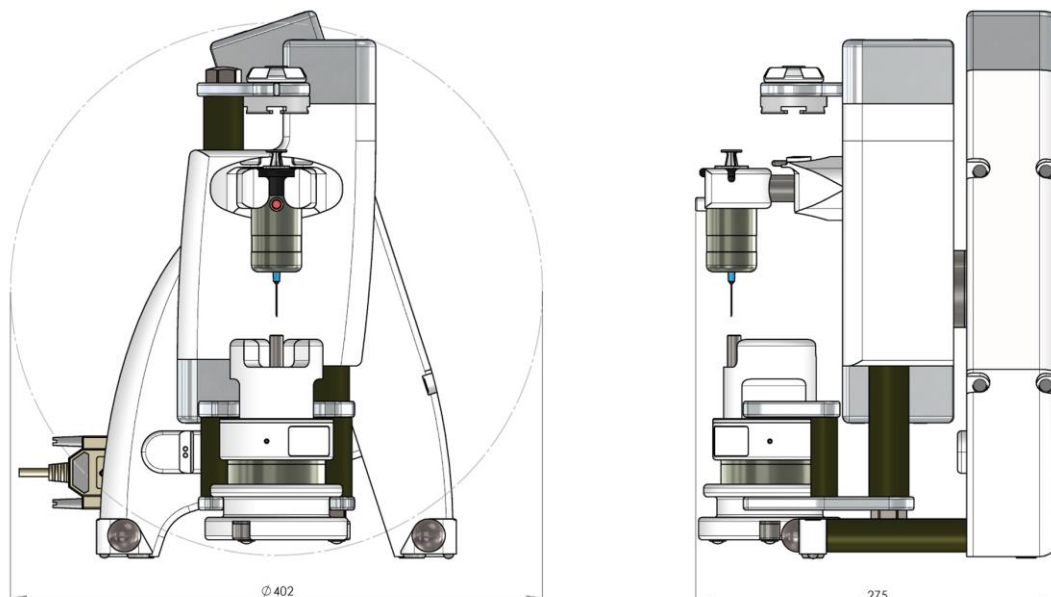
The ADD is specifically designed for high activity 511keV Isotopes and makes light work of the heavy syringe and vial shields that are impossible to manipulate by hand.

Automated Dose Dispenser:

- Significantly reduces finger dose in bench-top dispensing situations.
- Total cycle time of 28 seconds to dispense 1ml, 48 seconds to dispense 9ml.
- Mimics manual filling pharmacy procedures for vial to syringe and syringe to vial transfers.
- Increases accuracy, repeatability and throughput for dispensing operations where heavy shielding is required.
- Suitable for use with most types of syringes up to 10ml size.
- Vial shield accepts vials up to 30ml, custom vial adaptors are available if requested.
- Stainless Steel and Plastic construction, resistant to most commercially available cleaning and sanitising products.
- Designed for use with 25mm long Needles



Technical Data



Shielding

- Tungsten syringe shields are available to suit most available syringe types up to 10ml volume. Shields have a common outer diameter, with various lengths and inner diameters to suit the syringe.
- All Tungsten syringe shields have a 9mm wall thickness (12.5mm lead equivalent)
- Tungsten vial shield has 18mm wall thickness (25mm lead equivalent).

Functions

- Filling of desired volume into syringe by inversion of syringe and vial. Optional pressure equalisation function leaves the vial at atmospheric pressure.
- Add function to add liquid to filled syringe. Can be used for in syringe dilution or to adjust final activity.
- Drip elimination pulls back plunger by user controlled volume before needle removed from septum. User can select for different needle lengths (subject to physical constraints).
- User selection for most commonly used syringes up to 10ml volume.
- Empty function allows liquid to be emptied from syringe in as many aliquots as required. (can be used for adjusting the volume in the syringe or for sub-dispensing vials).
- Integrated recapping function.
- Vial shield detector to minimise handling errors.
- Variable penetration depth of needle through septum to ensure minimum wastage of product.
- User calibration for each syringe size.

Accuracy:

2ml syringe = 0.02ml
5ml syringe = 0.05ml
10ml syringe = 0.10ml

Minimum Volume:

2ml syringe = 0.05ml
5ml syringe = 0.10ml
10ml syringe = 0.10ml

Dimensions:

Syringe Filling Module (when turning)	402mm (H) x 402mm (W) x 274mm (D)	Weight 13Kg
Key Pad/Display unit	80mm (H) x 150mm (W) x 210mm (D)	Weight 2kg
Control PC unit	90mm (H) x 365mm (W) x 250mm (D)	Weight 2.7kg
Tungsten Vial Shield	150mm (H) x 100mm (W) x 100mm (D)	Weight 5kg

Power:

Universal power supply provided 100~240V 1.5A 47 - 63Hz